

DC-AC INVERTER UNIT

PS-M06D12S6-NJ1L(S) (6,5 W DUAL OUTPUTS)

(PRELIMINARY INFORMATION)

DESCRIPTION :

This low profile DC to AC Inverter is developed for dual lamps.

Please contact us for confirmation regarding compatibility with your display.

APPLICABLE LCD:

- 6.4 to 12 inches double lamp type
- Lamp Voltage 500 Vrms
- Lamp Current 6.5 mArms
- Lamp Start Up Voltage min. 1.500 Vrms (Vin : 12 Vdc)



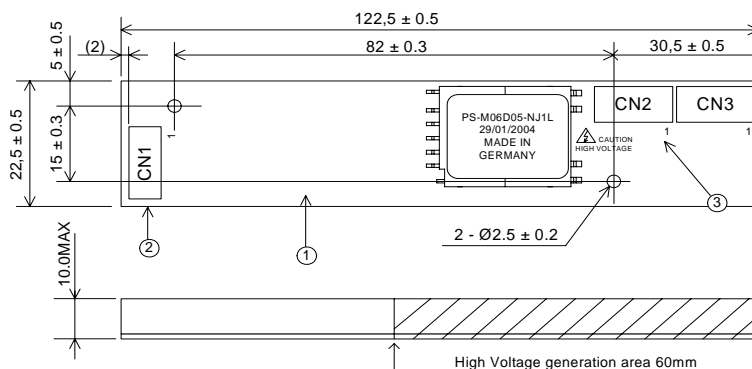
FEATURES :

- Remote ON/OFF
- Ext. PWM-Dimming Function
- RoHS compliant (S)

TEMPERATURE & HUMIDITY :

- Operating Temperature Range -10°C ~ +60°C
- Storage Temperature Range -20°C ~ +85°C
- Humidity 95 %RH max

DIMENSIONS : L x W x H 123 x 23 x 10mm



Unit : mm
Weight :20 (g) typ.

Note: Please use plastic screw in case of a non-insulating mounting base!

Components

No.	Part Description	Qty.	Material	Note
1	PCB	1	UL94V-0 (FR-4 or CEM-3)	t=1.6mm
2	Connector CN1	1	S5B-PH-SM3	JST or equal
3	Connector CN2 + CN3	2	SM02(8.0)B-BHS-1-TB	JST or equal

Input side CN1:

Pin No.	Symbols	Ratings
CN 1-1	Vin	12 Vdc
CN 1-2	GND	
CN 1-3	Ext. PWM	0 ~ 5 Vdc (L activ)
CN 1-4	N.C.	
CN 1-5	Vrmt	0 / 5 Vdc (H activ)

Output side CN2:

Pin No.	Symbols	Ratings
CN 2-1	Vhigh	500 Vrms (6.5 mArms)
CN 2-2	Vlow	0Vdc

Output side CN3:

Pin No.	Symbols	Ratings
CN 3-1	Vhigh	500 Vrms (6.5 mArms)
CN 3-2	Vlow	0Vdc

Power Systems – The Power Solution

Web: www.Power-Systems.de
Email: Info@Power-Systems.de

Address: Hauptstr. 48 ; 74360 Ilfeld-Auenstein / Germany
Tel. : + 49 / 70 62 / 67 59 - 6
Fax: + 49 / 70 62 / 67 59 - 800

DC-AC INVERTER UNIT

PS-M06D12S6-NJ1L(S) (6,5 W DUAL OUTPUTS)

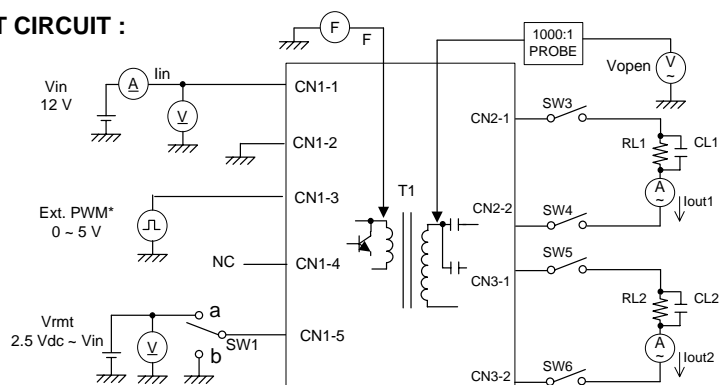
(PRELIMINARY INFORMATION)

ELECTRICAL CHARACTERISTICS :

Parameters	Symbols	Conditions			Specification			Unit	Note
		Vin (V)	Vrmt (V)	Tu (°C)	Min.	Typ.	Max.		
Output Current	Iout1+2	12±0.12	5±0.25	-10 ~ +60	6.0	6.5	7.0	mArms	
Output Current	Iout1+2	12±1.2	5±0.25	-10 ~ +60	5.5	6.5	7.5	mArms	
Input Current	Iin	12±1.2	5±0.25	-10 ~ +60	-	0.7	1.2	Adc	
Frequency	F	12±1.2	5±0.25	-10 ~ +60	45	55	65	kHz	
Open Circuit Voltage	Vopen	11.4	5±0.25	-10 ~ +60	1.450	1.500	-	Vrms	

- Note 1 : Please keep minimum of 2mm clearance (all directions) between inverter high voltage area as marked on mechanical drawing and any conductors.
- Note 2 : Remote ON/OFF (CN1-5) has priority and can not be used in combination with External PWM Dimming (CN1-3). When 'Ext.PWM' (CN1-3) is used 'Vrmt' (CN1-5) should not be connected.
- Note 3 : The external PWM frequency should be in a range of 100 ~ 500 Hz. For other frequency please request. The optimum is 250 Hz. Here you will normally not get a interference to the vertical sync. frequency.
- Note 4 : Please contact us for 24V input voltage.

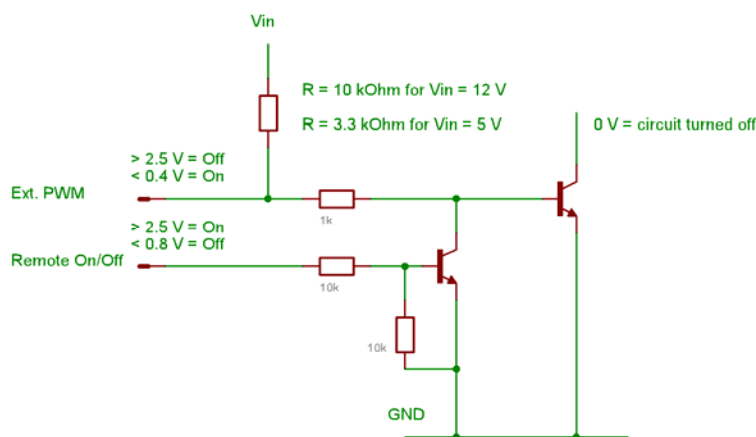
TEST CIRCUIT :



*) Only active when Vrmt is 0 Vdc or floating

SW 1	Operation of unit
a	Operation
b	Non operation

External PWM-Dimming / Remote ON / OFF Detailed Circuit Diagram :



Power Systems – The Power Solution

Web: www.Power-Systems.de
 Email: Info@Power-Systems.de

Address: Hauptstr. 48 ; 74360 Illfeld-Auenstein / Germany
 Tel. : + 49 / 70 62 / 67 59 - 6
 Fax: + 49 / 70 62 / 67 59 - 800